

**GENERAL FEATURES**

- Designed with AGM (Absorbent Glass Mat) technology, equipping high performance plates and electrolyte, the 6GFM120 is a general-purpose VRLA battery with a lifespan of 10 years for float charging at 25°C
- Using oxygen recombination technology, maintenance-free.
- ABS material: enhanced strength of the battery container. (Flame-retardant ABS is optional).



**APPLICATIONS**

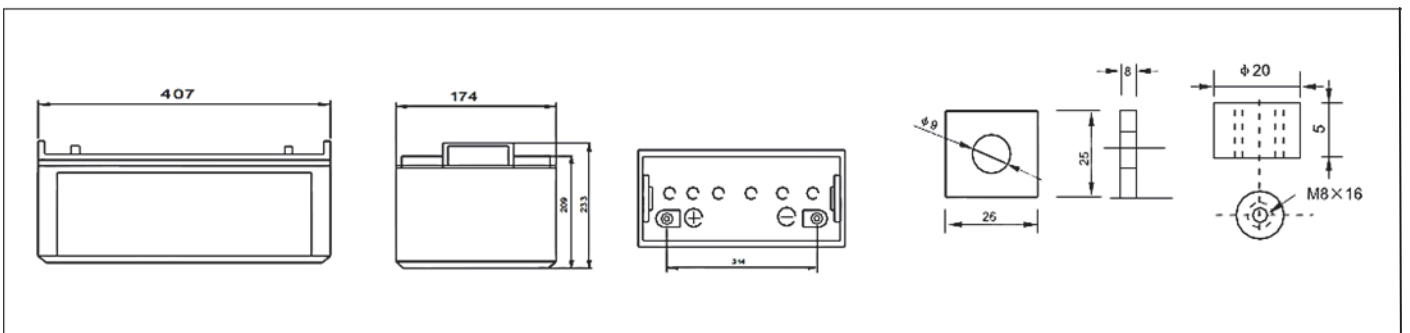
- All purpose
- Uninterruptable Power Supply (UPS)
- Electric Power System (EPS)
- Emergency backup system
- Emergency light
- Railway Signal
- Aircraft signal
- Alarm and security system
- Electronic apparatus and equipment
- Communication power supply
- DC power supply
- Auto control system



**SPECIFICATIONS**

<b>Model</b>	Nominal Voltage	12V		
	Rated Capacity (10Hr rate)	120Ah		
<b>Dimensions</b>	Length	Width	Height	Total Height
	407mm (16.02")	174mm (6.85")	209mm (8.23")	233mm (9.17")
<b>Weight</b>	Approx. 35KG ± 3%			
<b>Capacity @25°C (77°F)</b>	10 hour (12.0A,10.8V)	5 Hour ( 19.2A,10.5V)	3 Hour ( 30A,10.2V)	1 Hour (72A,9.6V)
	120Ah	96Ah	90Ah	72Ah
<b>Internal Resistance</b>	Fully charged at 25°C, approx. 3.8mΩ			
<b>Max. Discharge Current</b>	1200A (5 Sec. )			
<b>Capacity Affected by Temp. (10Hr)</b>	40°C (104°F)	25°C (77°F)	0°C (32°F)	-15°C (5°F)
	102%	100%	85%	65%
<b>Self Discharge Rate</b>	After 3 months Storage	After 6 months Storage	After 12 months Storage	
	91%	82%	64%	
<b>Charge Method</b>	Cycle Use		Float Charging	
	14.1-14.4V (Initial current less than 48A) @25°C (77°F)		13.5-13.8V@25°C (77°F)	

**DIMENSIONS & TERMINALS**



PERFORMANCE CHARACTERISTICS

Constant Current (Amp.) and Constant Power (Watt) Discharge Table @25°C (77°F)

Cell Voltage / Time		5min	10min	15min	30min	1hr	2hr	3hr	4hr	5hr	8hr	10hr	20hr
9.60V	A	384.40	253.20	204.10	136.80	72.00	42.00	30.80	24.00	19.80	14.00	12.60	6.80
	W	3966.60	2704.20	2188.60	1470.90	777.60	461.20	343.20	270.00	225.10	160.90	145.50	79.10
10.20V	A	372.20	228.50	192.20	130.80	67.70	40.10	30.00	23.40	19.40	13.70	12.40	6.60
	W	3975.50	2551.20	2151.20	1468.40	765.50	462.00	347.40	272.10	226.60	160.10	145.20	77.40
10.50V	A	360.10	204.40	168.10	122.40	65.50	39.10	29.30	23.00	19.20	13.60	12.10	6.60
	W	3932.50	2324.80	1918.60	1408.60	758.70	453.70	341.20	269.60	225.10	159.50	143.40	78.00
10.80V	A	347.00	192.60	156.20	112.80	63.40	38.20	28.60	22.70	18.70	13.20	12.00	6.50
	W	3893.80	2221.10	1799.90	1306.90	737.50	446.90	336.70	267.80	221.30	156.40	142.60	77.50
11.10V	A	335.40	180.50	144.20	100.80	61.20	37.20	27.60	22.10	18.20	12.80	11.40	6.10
	W	3803.40	2090.00	1679.00	1179.40	719.70	439.70	327.90	263.00	217.70	153.80	137.60	74.20

