



# DATA SHEET

HYUNDAI SUNGWOOAUTO BLDG., 609, BONGEUNSA-RO, GANGNAM-GU, SEOUL, KOREA

TEL : +82-2-2189-0955 / FAX : +82-2-2189-0940 / URL : <http://www.solite.co.kr>

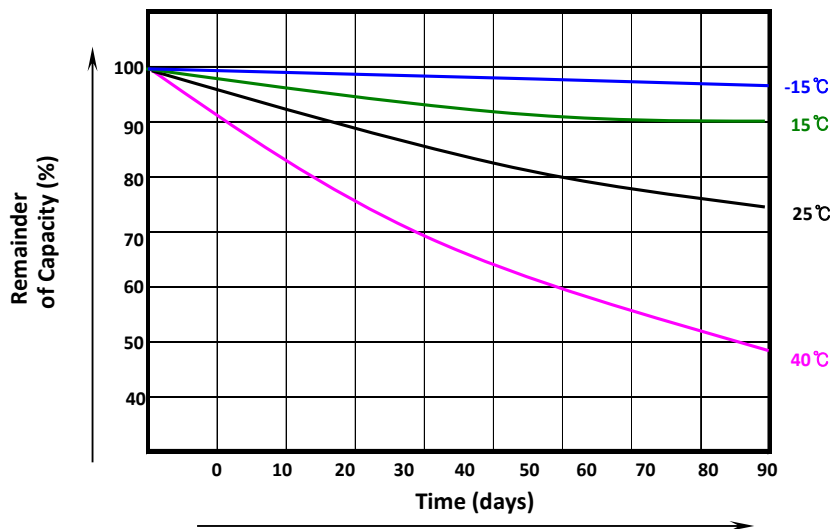
**HYUNDAI SUNGWOO  
SOLITE**

**MODEL NO. : CMF58043**

## Specification

Norminal Voltage	12V	
Norminal Capacity(20Hr)	80Ah	
EN CCA(Cold Cranking Ampere)	670A	
RC (Rerserve Capacity)	155Min.	
Dimension	Length	314mm
	Width	174mm
	Container Height	189mm
	Total Height (with Terminal)	189mm
Approximate Weight	Approx 19kg	
Terminal Shape	Standard shape according to EN standard	
Terminal Layout	Layout 0	
Container Material	PP(polypropylene)	
Norminal Operating Temp. Range	25±3 °C (77±5 °F)	
	40 °C (104 °F)	105%
	0 °C (32 °F)	85%
Capacity affected by Temperature	25 °C (77 °F)	100%
	0 °C (32 °F)	85%

## Self-discharge Characteristic

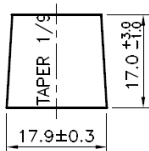
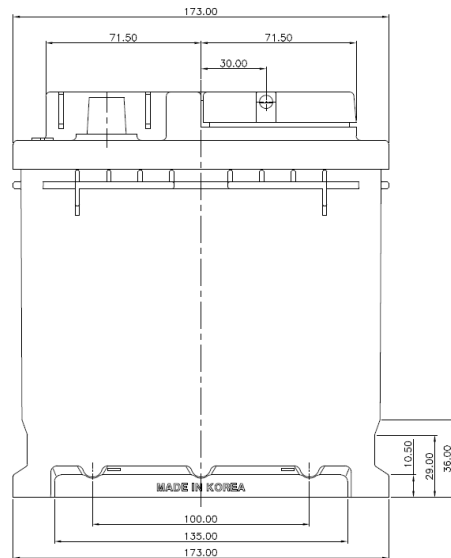
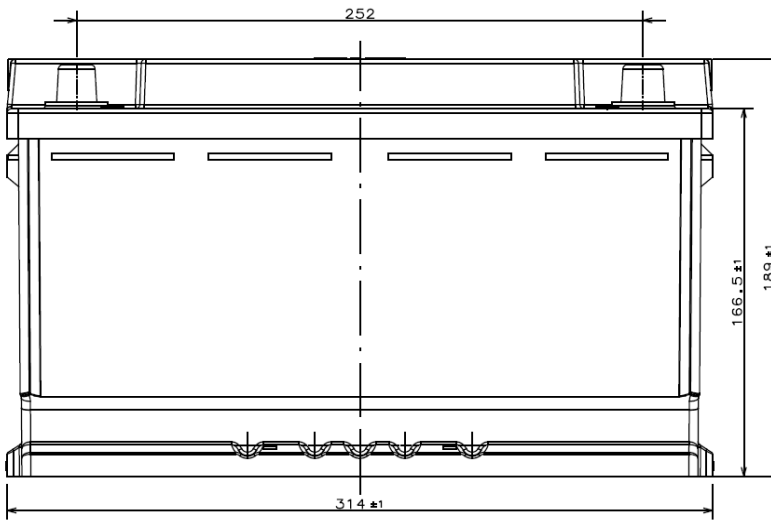
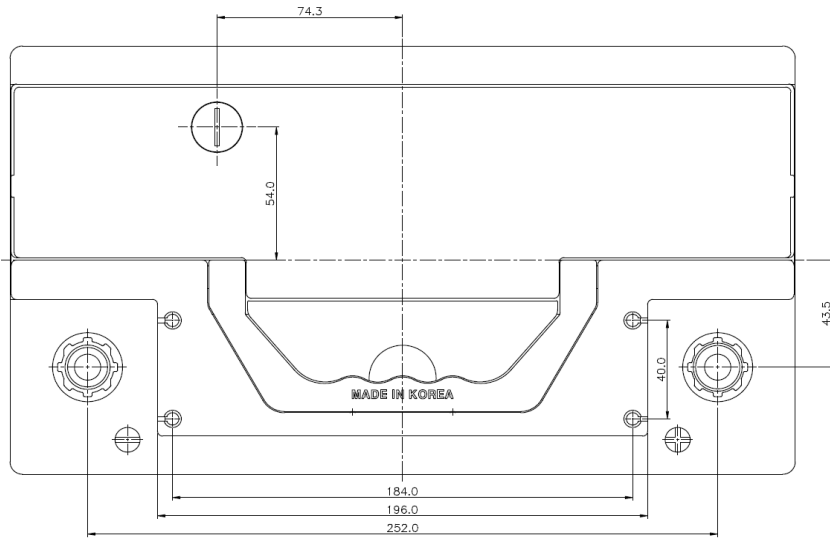


### Test definition (EN50342:2001)

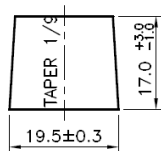
EN CCA : The battery is required to meet a voltage of 7.5V after 10 seconds and after 10 seconds rest, the battery is further discharged @ 0.6 x original current and is required to complete 73s until 6V in the second stage giving a total combined discharge period of 90 seconds [assume initial period equates to (10s/0.6) 16.7 seconds.]

RC : The battery shall be discharged with a current of 25A until the terminal voltage falls to 10.50V ± 0.05V. The duration (min.) of discharge shall be recorded.

**Drawing**



NEGATIVE TERMINAL



POSITIVE TERMINAL