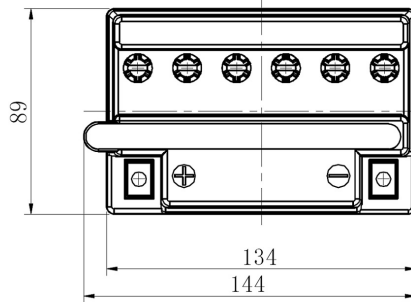
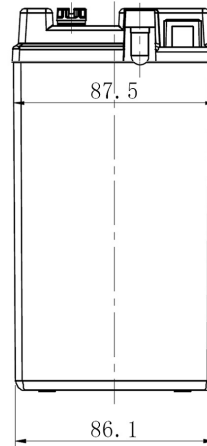
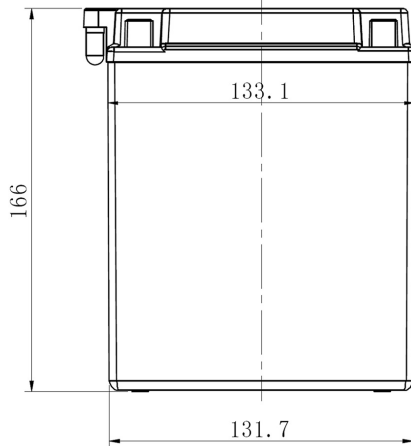


Central Article Code: C49018D02-A  
 Local Code: EB14-A2

Created: 02/09/2005  
 Modified: 15/12/2020



Final Outlook	C4902-A
Approval date	15/03/2014

## PERFORMANCES

Voltage (V):	12 V	
C20 (Ah):	14.0	10 h
Cranking (A):	145	EN
Charge:	DRY	
Technology:	Vented/Flooded	
Grid:	Low Sb	
Vibration:	Not Defined	
Endurance:	Not Defined	

## STD. DIMENSIONS

Length (mm ± 2):	135
Width (mm ± 2):	90
Height (mm ± 2):	165
Total Weight (kg ± 5%):	4.60

This is a dry battery supplied with bottles of sulphuric acid. Sale of acid to end users is forbidden by Eu.Reg.1148/2019. Dry batteries must be filled with acid before delivery to end users

All figures show nominal values. Tolerances are according to EN50342 and applicable European Regulations.

## CONTAINER

Type:	C49	WHITE
Hold Down:	B0	
H.D. Adapter:	No	

## COVER

Type:	Motorbike (A ventilati BLACK
Polarity:	ETN 1
Terminals:	M08
Terminal Adapter:	No
SOCI:	No
Ventilation:	Moto-A
Filter:	No
Lateral Plug:	No

## PLUGS

Type:	6 x Moto Plug	RED
-------	---------------	-----

## HANDLES

Type:	None
-------	------

## OTHERS

Degassing Tube:	No
-----------------	----

EAC certified