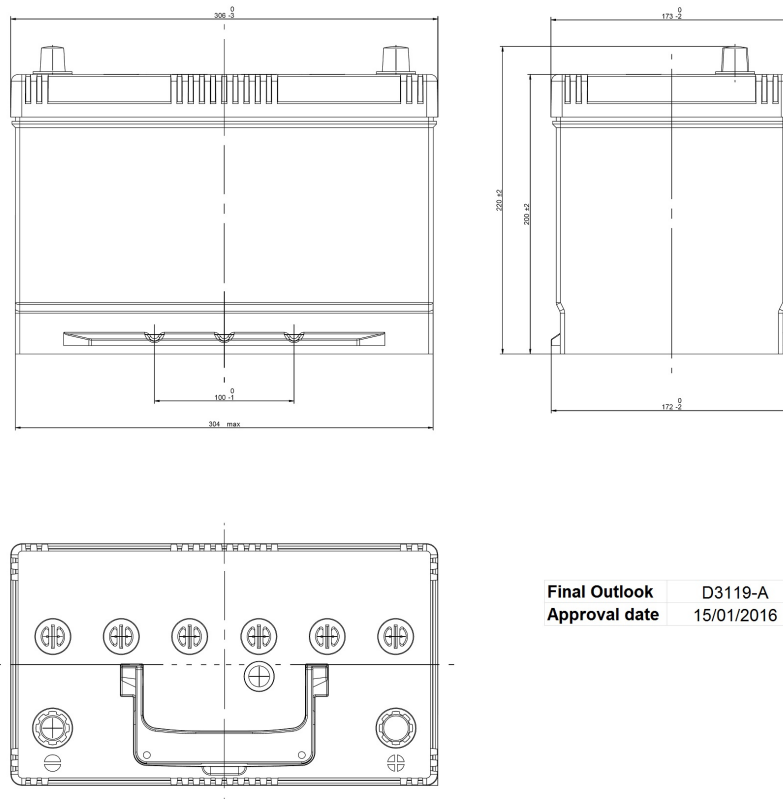


Central Article Code: D31079C19-A  
 Local Code: EL954

Created: 17/05/2017  
 Modified: 10/01/2023



Final Outlook	D3119-A
Approval date	15/01/2016

PERFORMANCES		CONTAINER	
Voltage (V):	12 V	Type:	D31 BLACK
C20 (Ah):	80.0 20 h	Hold Down:	Korean B1
Cranking (A):	782 EN	H.D. Adapter:	No
Charge:	WET	COVER	
Technology:	Vented/Flooded	Type:	Flat/Screw Integrate BLACK
Grid:	Ca/Ca	Polarity:	ETN 0
Vibration:	Manufactured Specific	Terminals:	EN taper post
Endurance:	Mazda Requirement (MHF)	Terminal Adapter:	No
		SOCI:	Black SOCI with one ball
		Ventilation:	Independent
		Filter:	No
		Lateral Plug:	No
STD. DIMENSIONS		PLUGS	
Length (mm ± 2):	306	Type:	6 x M18 (Filter) BLACK
Width (mm ± 2):	173	HANDLES	
Height (mm ± 2):	222	Type:	1 x Integrated BLACK
Total Weight (kg ± 5%):	21.80	OTHERS	
		Degassing Tube:	No

All figures show nominal values. Tolerances are according to EN50342 and applicable European Regulations.