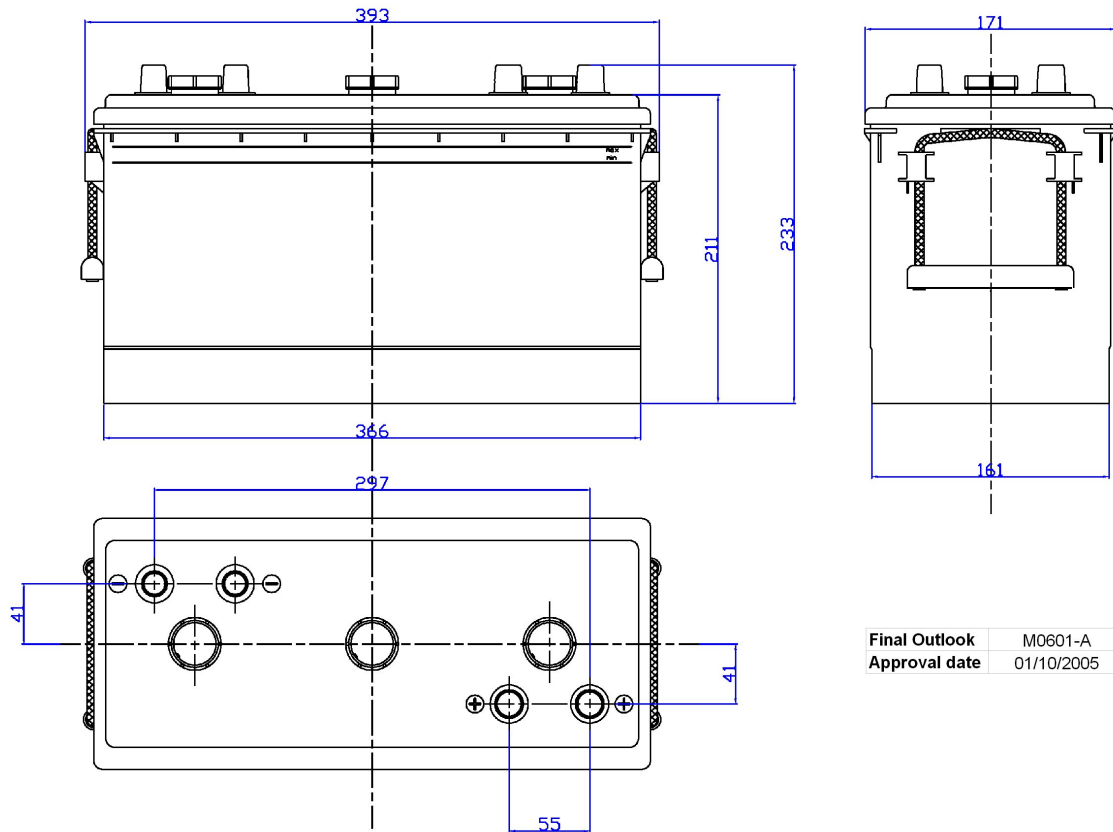


Central Article Code: M06115W01-A
 Local Code: EU200-6

Created: 07/09/2005
 Modified: 19/01/2023



Final Outlook	M0601-A
Approval date	01/10/2005

PERFORMANCES

Voltage (V):	6 V	
C20 (Ah):	200.0	20 h
Cranking (A):	1150	EN
Charge:	WET	
Technology:	Vented/Flooded	
Grid:	Hybrid	
Vibration:	V3 (30Hz+/-2Hz/6g/20h)	
Endurance:	E2 (90 cycles@50%)	

STD. DIMENSIONS

Length (mm ± 2):	398
Width (mm ± 2):	174
Height (mm ± 2):	234
Total Weight (kg ± 5%):	27.80

All figures show nominal values. Tolerances are according to EN50342 and applicable European Regulations.

CONTAINER

Type:	M06	BLACK
Hold Down:	B0	
H.D. Adapter:	No	

COVER

Type:	Flat/Screw	BLACK
Polarity:	ETN 0	
Terminals:	Twin EN taper posts	
Terminal Adapter:	No	
SOCI:	No	
Ventilation:	Independent	
Filter:	No	
Lateral Plug:	No	

PLUGS

Type:	3 x M27	BLACK
-------	---------	-------

HANDLES

Type:	2 x Rope (Flexible)	BLACK
-------	---------------------	-------

OTHERS

Degassing Tube:	No
-----------------	----